

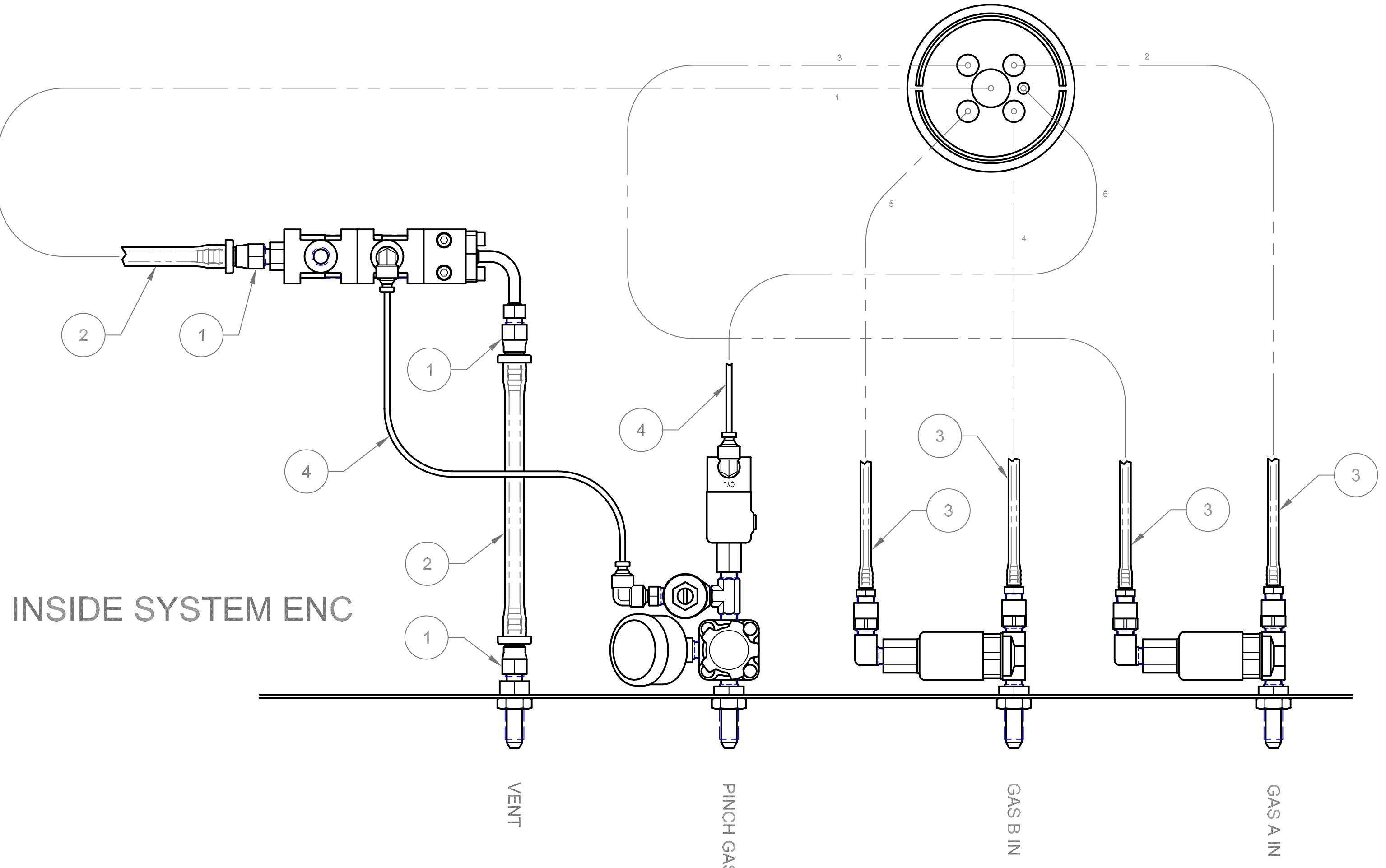
IMPORTANT
 THIS DRAWING OR SPECIFICATION CONSTITUTES THE CONFIDENTIAL INFORMATION OF BRIG'S MACHINING CO. AND ITS RECEIPT OR POSSESSION DOES NOT CONVEY ANY RIGHT IN OR LICENSE TO USE IT OR THE INFORMATION DISCLOSED HEREIN NOR ANY RIGHT TO REPRODUCE THIS DRAWING OR SPECIFICATION NOR ANY PART HEREOF WITHOUT THE WRITTEN CONSENT OF BRIG'S MACHINING CO.

REVISIONS				
ZONE	REV	DESCRIPTION	DATE	APPROVED

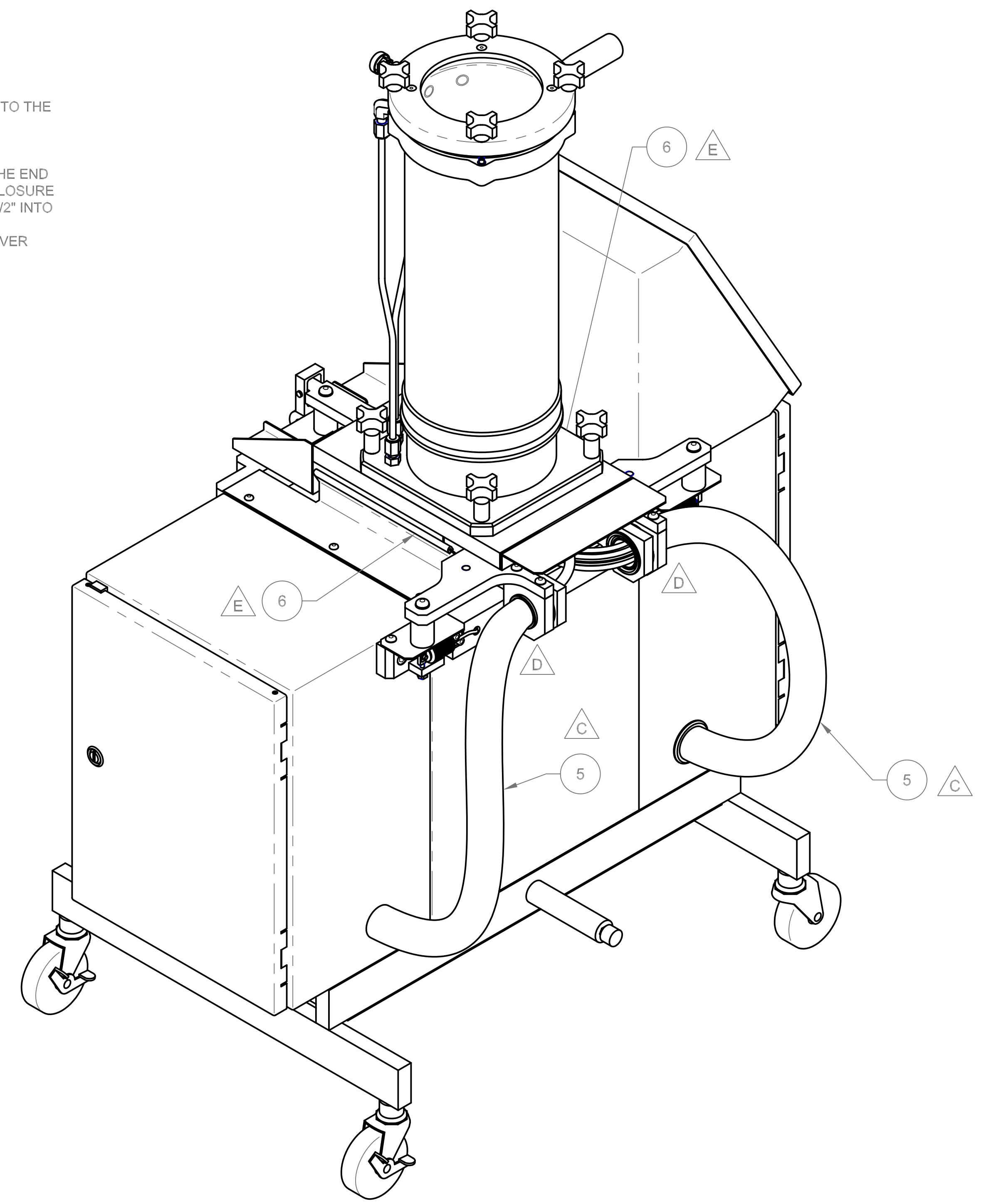
NOTES:

- A RUN TUBING THROUGH THE BASE HINGE NEAREST TO THE PLC ENCLOSURE
- B RUN TUBING UNDER TUBING BRACKET AS SHOWN
- C AFTER ALL SLACK IS TAKEN, TUBING, WIRING, AND CORRUGATED COVERS MUST BE 30" LONG FROM THE END OF THE BASE HINGE TO THE SURFACE OF THE ENCLOSURE
- D TRIM CORRUGATED PROTECTOR SO THAT IT LIES 1/2" INTO THE BASE HINGE, BOTH SIDES
- E APPLY EDGE TRIM ALONG TOP EDGE OF FRAME COVER BOTH SIDES

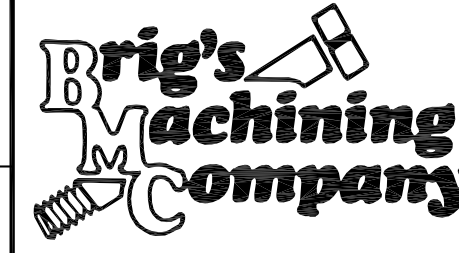
BASE PLATE UNDERSIDE



INSIDE SYSTEM ENC



ITEM	QTY REQD	DWG SIZE	PART OR IDENTIFYING NO.	NOMENCLATURE OR DESCRIPTION	MATERIAL SPECIFICATION
6			BP1072	BLACK VINYL .06" EDGE TRIM	
5			BP1071	Ø1-1/2" CORRUGATED TUBING PROTECTOR	
4			BP1070	Ø1/8" OD Ø1/16" ID BLACK VINYL TUBING	
3			BP1069	Ø1/4" OD Ø1/8" ID CLEAR PLASTIC VINYL TUBING	
2			BP1068	Ø7/16" OD Ø1/4" ID CLEAR PLASTIC VINYL TUBING	
1	4		BP1064	1/4 AN TO HOSE BRASS FITTING WITH HOSE PROTECTOR	

UNLESS OTHERWISE SPECIFIED DIMENSIONS ARE IN INCHES TOLERANCES ARE: FRACTIONS DECIMALS ANGLES + .XX ± °			BRIGS MACHINING COMPANY. LAGUNA HILLS, CA	
MATERIAL FINISH			171D POWDER FEEDER TUBING SYSTEM ASSY	
NEXT ASSY	USED ON	DRAWN BY	SIZE	FSCM NO.
			D	
APPLICATION		DO NOT SCALE DRAWING	CHECKED BY	DWG NO.
				171D-001
SCALE			1/2	REV
				1
SHEET			2 of 4	