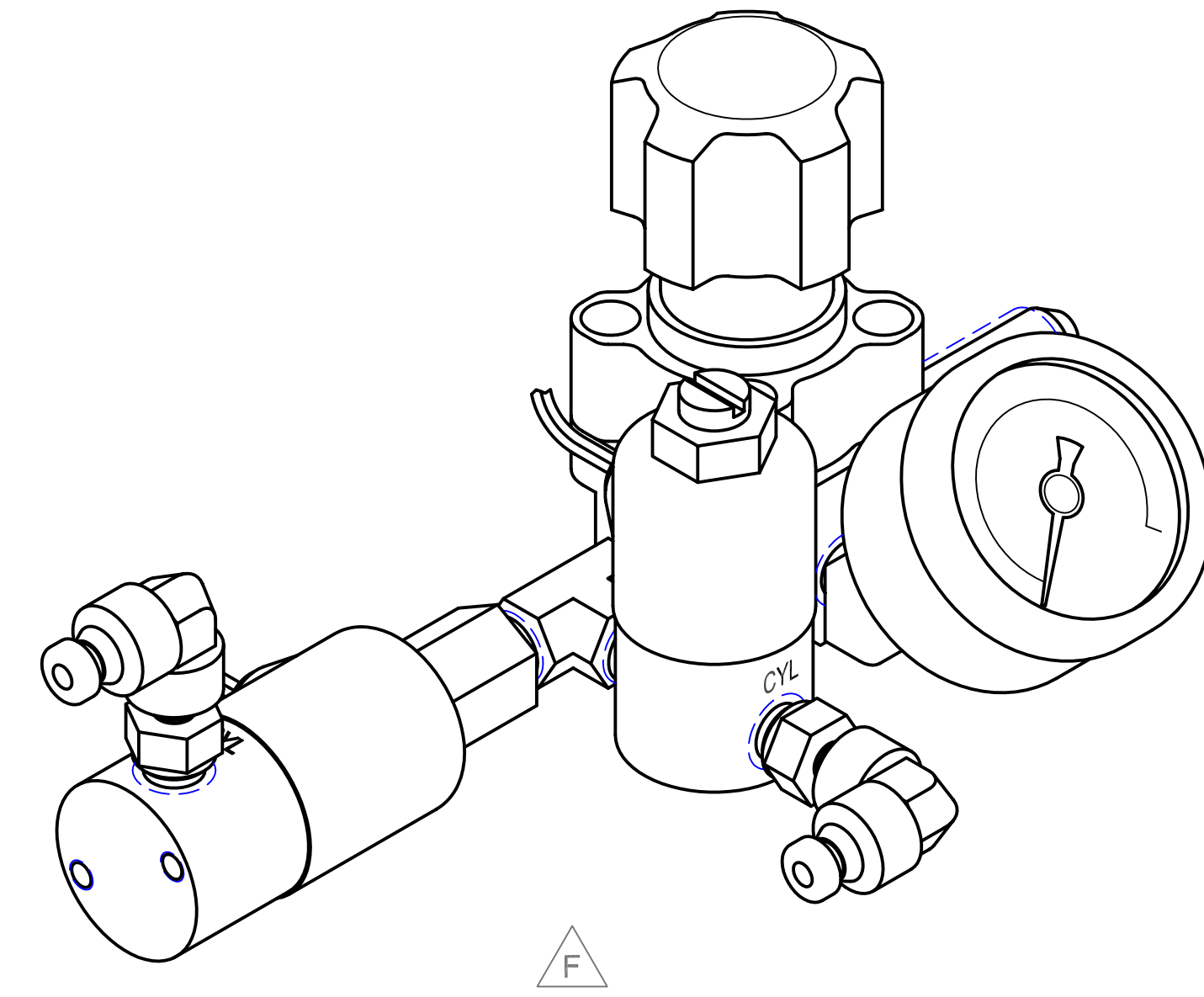
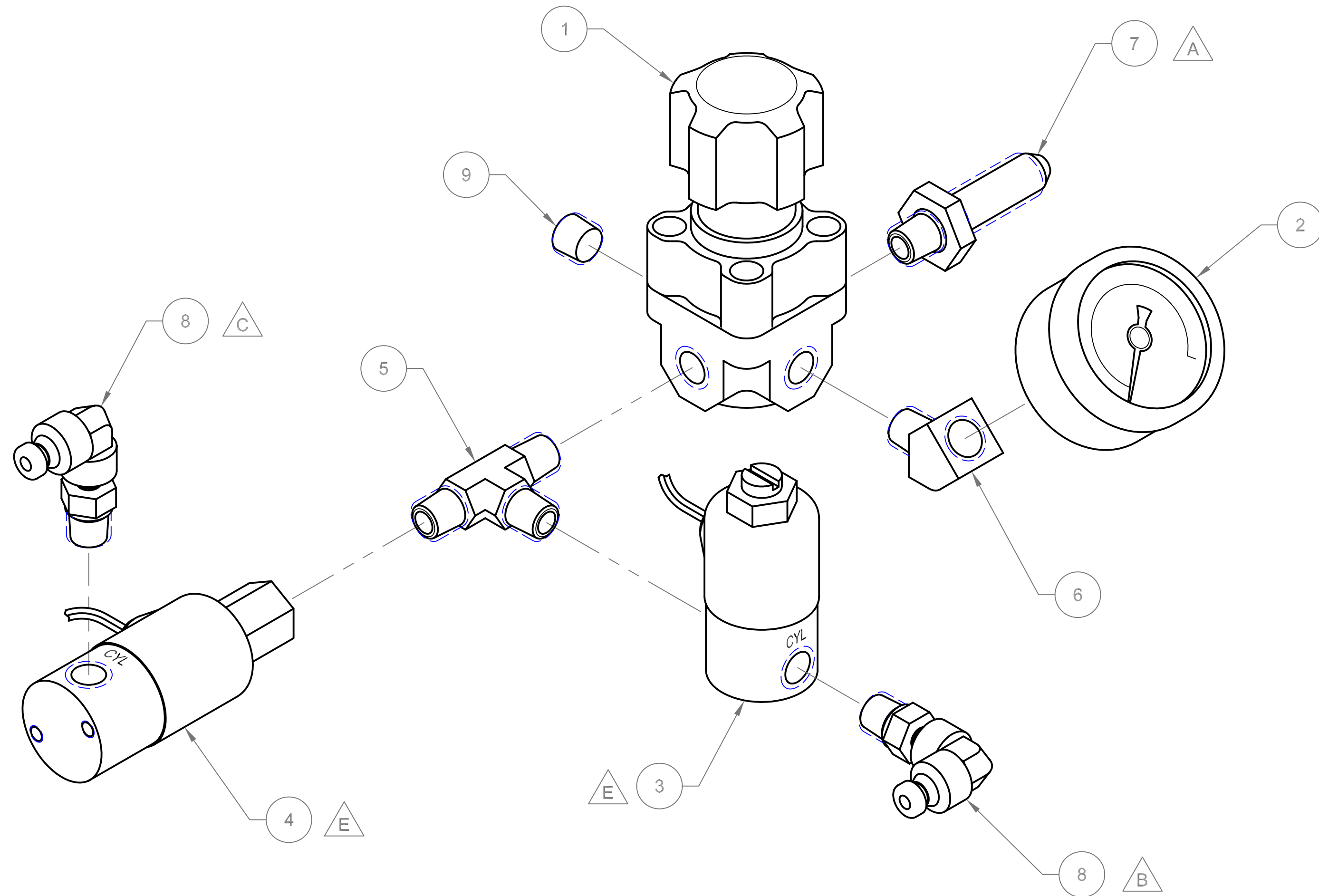


IMPORTANT
 THIS DRAWING OR SPECIFICATION CONSTITUTES THE CONFIDENTIAL INFORMATION OF BRIG'S MACHINING CO. AND ITS RECEIPT OR POSSESSION DOES NOT CONVEY ANY RIGHT IN OR LICENSE TO USE IT OR THE INFORMATION DISCLOSED HEREIN NOR ANY RIGHT TO REPRODUCE THIS DRAWING OR SPECIFICATION NOR ANY PART HEREOF WITHOUT THE WRITTEN CONSENT OF BRIG'S MACHINING CO.


ZONE		REV	DESCRIPTION	DATE	APPROVED



NOTES:

- A SCREW ITEM 7 INTO PORT LABELED "SUP" OR "N" OF ITEM 1
- B SCREW ITEM 8 INTO PORT LABELED "CYL" OF ITEM 3
- C SCREW ITEM 8 INTO PORT LABELED "CYL" OF ITEM 4
- D USE TEFLON PIPE TAPE ON ALL PIPE THREADS
- E UNSCREW SOLENOID COIL AND ORIENT WIRE LEADS AS SHOWN
- F ORIENT ALL PARTS AS SHOWN TO WITHIN 5°

ITEM	QTY	DWG	PART	NOMENCLATURE	MATERIAL
REGD	SIZE	OR	IDENTIFYING NO.	OR DESCRIPTION	SPECIFICATION
9	1			1/8 NPT HEX SOCKET PLUG (COMES WITH ITEM 1)	
8	2		BP1019	1/8" TUBE TO 1/8 NPT 90° SWIVEL FITTING	
7	1		BP1027	1/8 NPT 1/4 AN PANEL FITTING	
6	1		BP1026	1/8 NPT MALE TO FEMALE 45° BRASS FITTING	
5	1		BP1025	1/8 x 1/8 x 1/8 NPT STL T FITTING	
4	1		BP1024	3/64" x 3/64" ORIFICE 120V 2 WAY SOLENOID 1/8 NPT	
3	1		BP1023	1/16" x 1/16" ORIFICE 120V SOLENOID 1/8 NPT	
2	1		BP1022	0-160 PSI 1/8 MALE NPT PRESSURE GAUGE	
1	1		BP1021	8-125 PSI 1/8 NPT REGULATOR	

UNLESS OTHERWISE SPECIFIED DIMENSIONS ARE IN INCHES TOLERANCES ARE:		PARTS LIST	
FRACTIONS	DECIMALS	ANGLES	
±	.XX ±	±	
	.XXX ±		
MATERIAL		 BRIGS MACHINING COMPANY. LAGUNA HILLS, CA	
FINISH		PINCH SOLENOID ASSY	
NEXT ASSY	USED ON	DRAWN BY	SIZE FSCM NO. DWG NO. REV
			D 171D-006 1
APPLICATION	DO NOT SCALE DRAWING	CHECKED BY	SCALE 1/1 SHEET 1 of 1