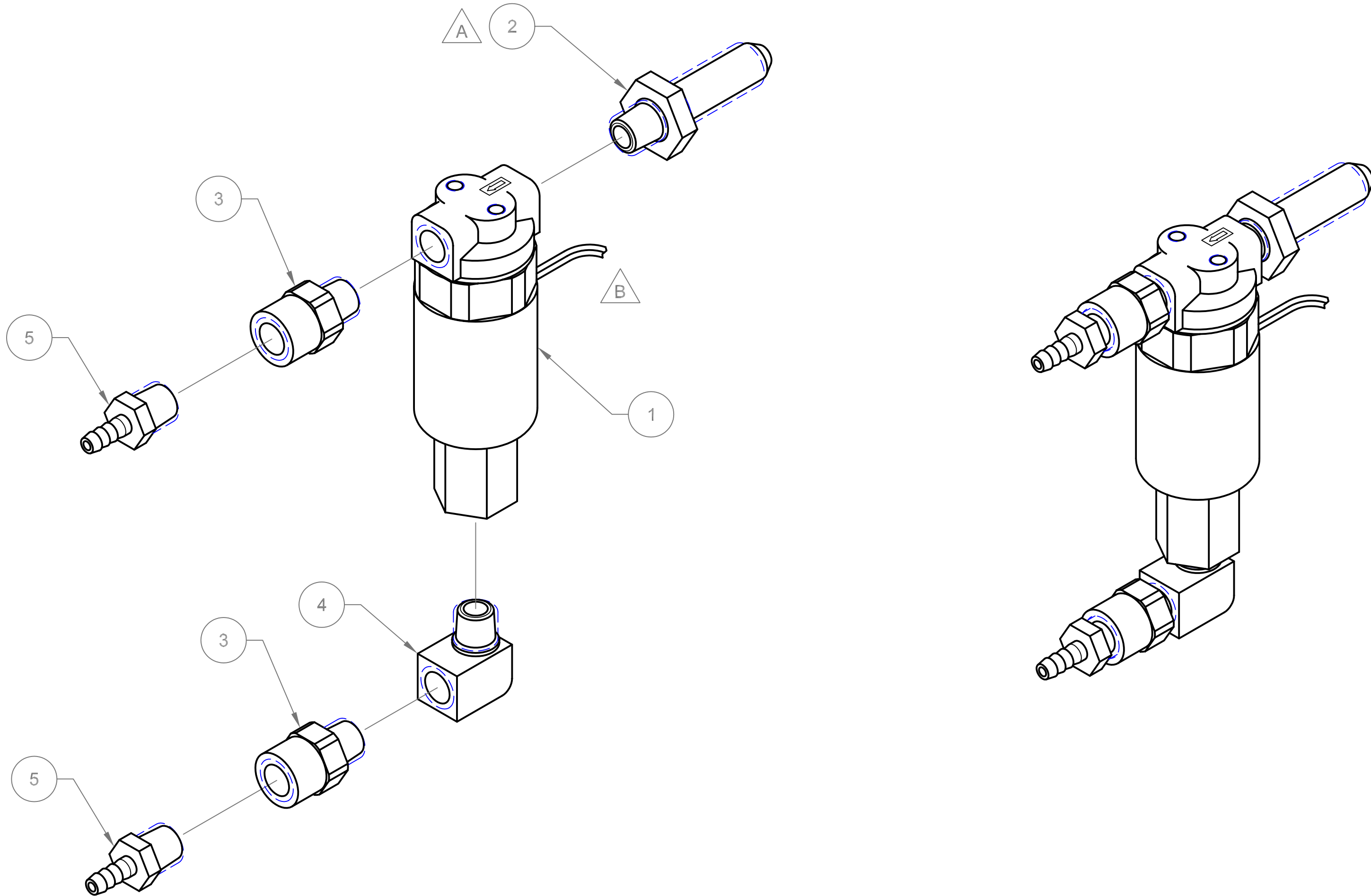


IMPORTANT
THIS DRAWING OR SPECIFICATION CONSTITUTES THE CONFIDENTIAL INFORMATION OF BRIG'S MACHINING CO. AND ITS RECEIPT OR POSSESSION DOES NOT CONVEY ANY RIGHT IN OR LICENSE TO USE IT OR THE INFORMATION DISCLOSED HEREIN NOR ANY RIGHT TO REPRODUCE THIS DRAWING OR SPECIFICATION NOR ANY PART HEREOF WITHOUT THE WRITTEN CONSENT OF BRIG'S MACHINING CO.

| REVISIONS | | | | |
|-----------|-----|-------------|------|----------|
| ZONE | REV | DESCRIPTION | DATE | APPROVED |
| | | | | |



NOTES:

- A SCREW ITEM 2 INTO PORT LABELED "N" OF ITEM 1 SO THAT THE ARROW POINTS AWAY FROM ITEM 2
- B ORIENT WIRE LEADS OF ITEM 1 AS SHOWN
- C USE TEFLON PIPE TAPE ON ALL PIPE THREADS
- D ORIENT ALL PARTS AS SHOWN TO WITHIN 5°

| ITEM | QTY REQD | DWG SIZE | PART OR IDENTIFYING NO. | NOMENCLATURE OR DESCRIPTION | MATERIAL SPECIFICATION |
|------|----------|----------|-------------------------|--|------------------------|
| 5 | 2 | | BP1006 | 1/8 NPT PIPE TO HOSE BRASS FITTING | |
| 4 | 1 | | BP1020 | 1/8 NPT MALE TO FEMALE 90° BRASS FITTING | |
| 3 | 2 | | BP1029 | 1/8 NPT MALE FEMALE ST STL CHECK VALVE | |
| 2 | 1 | | BP1027 | 1/8 NPT 1/4 AN PANEL FITTING | |
| 1 | 1 | | BP1028 | 2mm ORIFICE 110V 2 WAY SOLENOID | |

PARTS LIST

| | | |
|---|----------|--------|
| UNLESS OTHERWISE SPECIFIED DIMENSIONS ARE IN INCHES TOLERANCES ARE: | | |
| FRACTIONS | DECIMALS | ANGLES |
| ± | .XX ± | ± |
| | .XXX ± | |
| MATERIAL | | |
| FINISH | | |



BRIG'S MACHINING COMPANY. LAGUNA HILLS, CA

GAS SOLENOID ASSY

| | |
|-------------|----------|
| | 171D-010 |
| NEXT ASSY | USED ON |
| APPLICATION | |

| | | | | |
|------------|-------|----------|----------|--------|
| DRAWN BY | SIZE | FSCM NO. | DWG NO. | REV |
| | C | | 171D-007 | 1 |
| CHECKED BY | SCALE | 1/1 | SHEET | 1 of 1 |