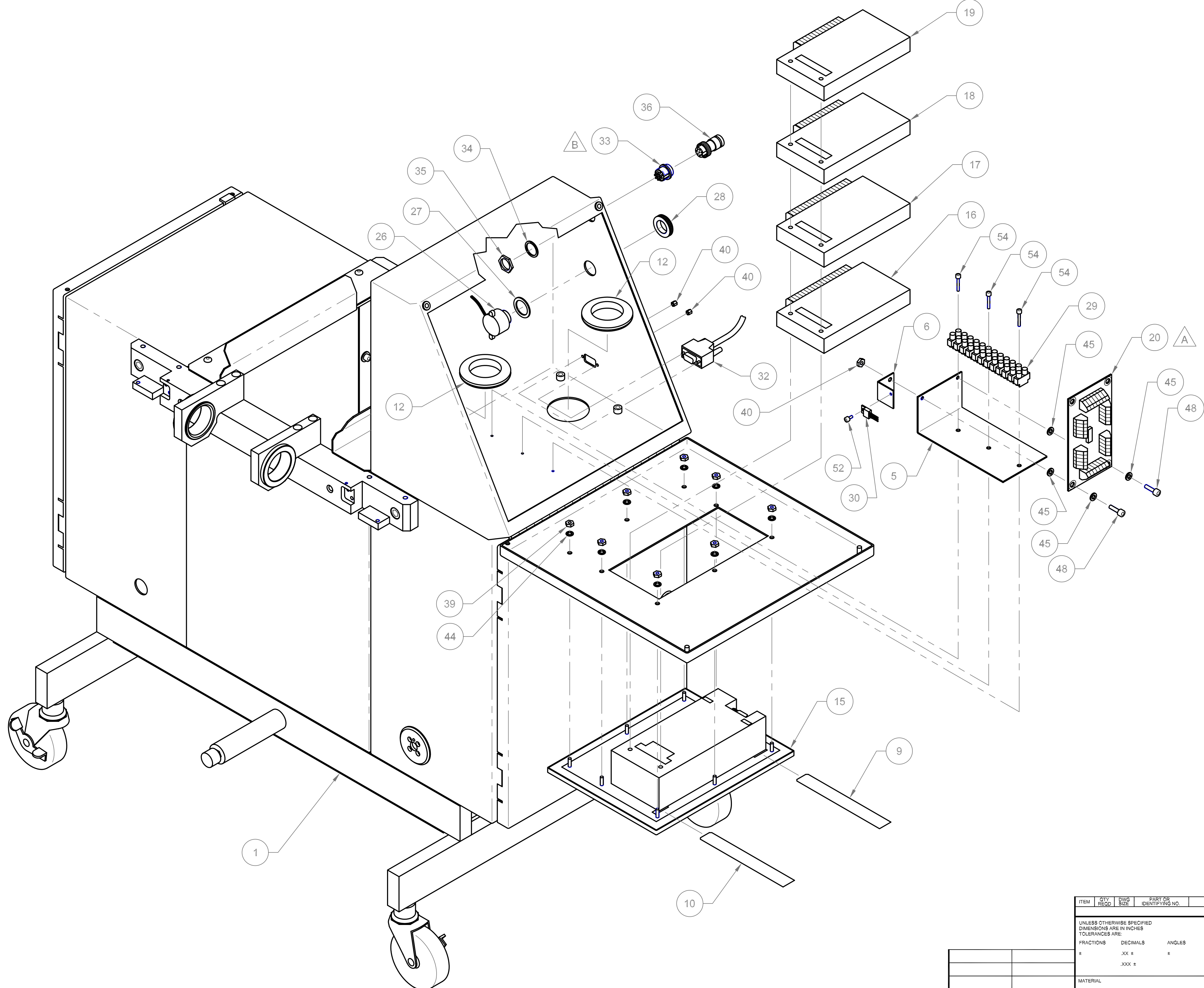


IMPORTANT
 THIS DRAWING OR SPECIFICATION CONSTITUTES THE CONFIDENTIAL INFORMATION OF BRIG'S MACHINING CO. AND ITS RECEIPT OR POSSESSION DOES NOT CONVEY ANY RIGHT IN OR LICENSE TO USE IT OR THE INFORMATION DISCLOSED HEREIN NOR ANY RIGHT TO REPRODUCE THIS DRAWING OR SPECIFICATION NOR ANY PART HEREOF WITHOUT THE WRITTEN CONSENT OF BRIG'S MACHINING CO.

REVISIONS				
ZONE	REV	DESCRIPTION	DATE	APPROVED



ITEM	QTY	DWG	PART OR	NOMENCLATURE	MATERIAL
REGD	SIZE	IDENTIFYING	NO.	OR DESCRIPTION	SPECIFICATION
PARTS LIST					
UNLESS OTHERWISE SPECIFIED DIMENSIONS ARE IN INCHES TOLERANCES ARE: FRACTIONS DECIMALS ANGLES + .XX ± ± .XXX ±					
MATERIAL			DRAWN BY		
FINISH			CHECKED BY		
NEXT ASSY		USED ON		SIZE	REV
APPLICATION		DO NOT SCALE DRAWING		D	1
SCALE 1/3				SHEET 2 of 3	



BRIGS MACHINING COMPANY. LAGUNA HILLS, CA

SYSTEM ASSY

DWG NO. 171D-010