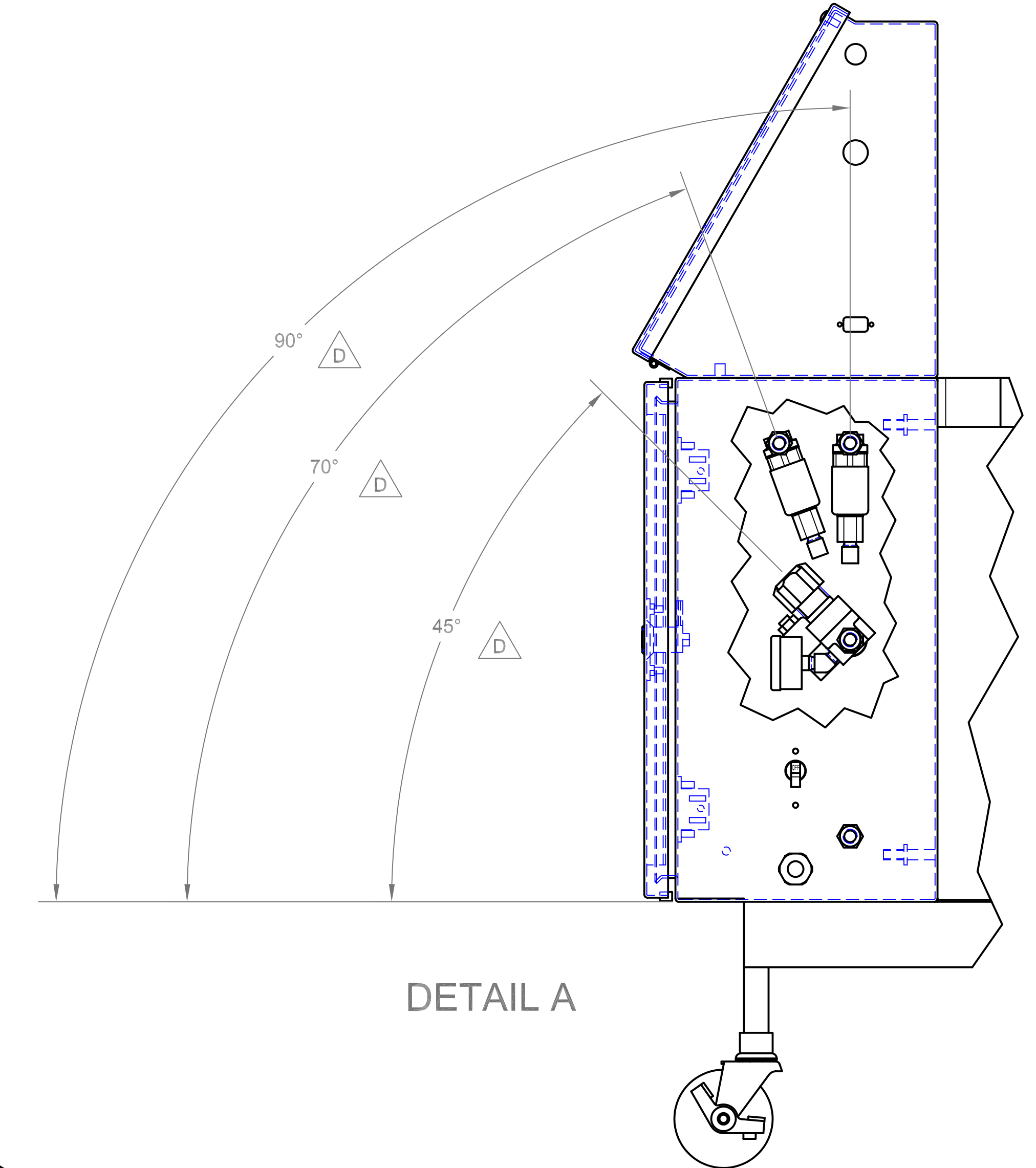
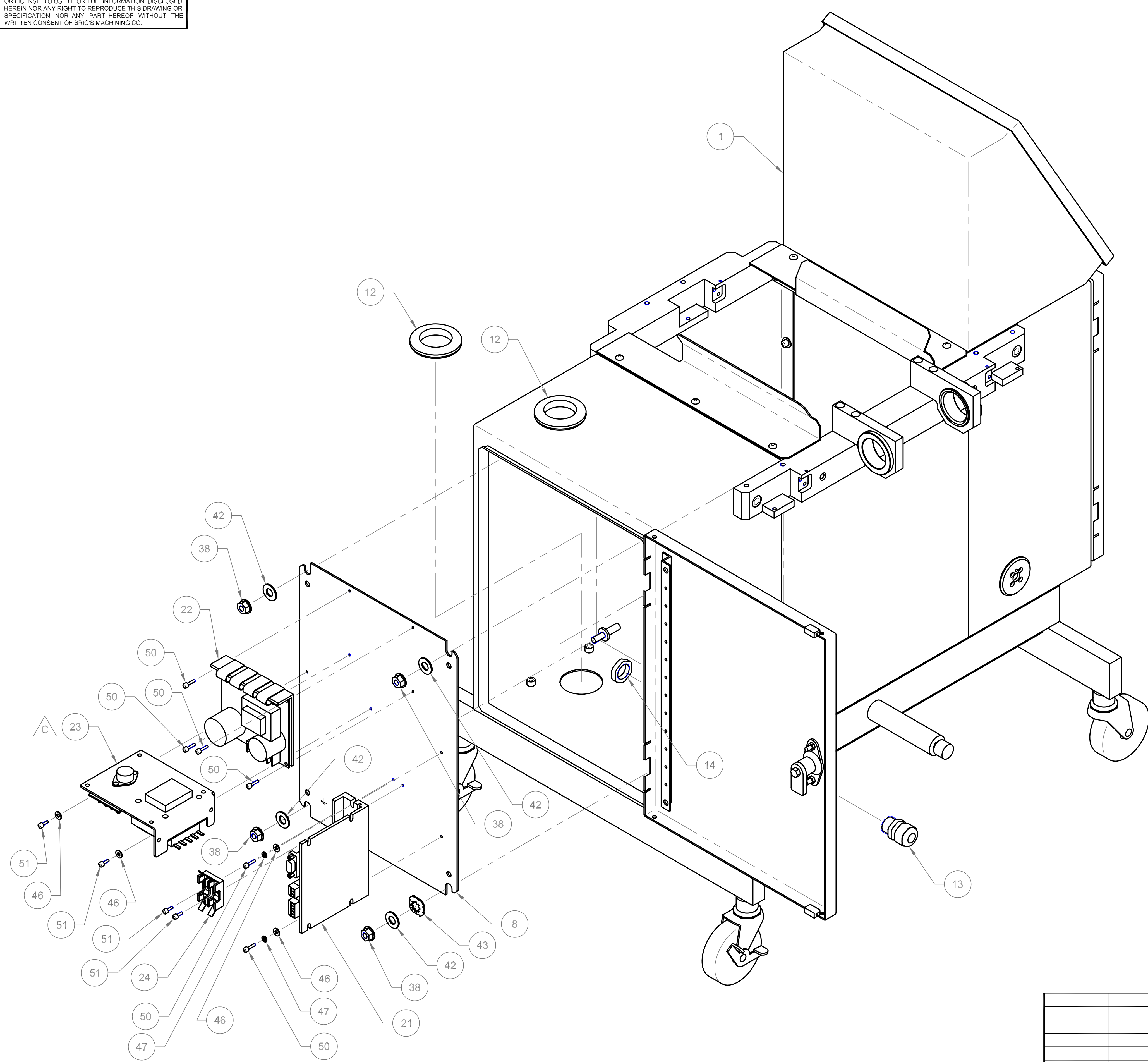


IMPORTANT
 THIS DRAWING OR SPECIFICATION CONSTITUTES THE CONFIDENTIAL INFORMATION OF BRIG'S MACHINING CO. AND ITS RECEIPT OR POSSESSION DOES NOT CONVEY ANY RIGHT IN OR LICENSE TO USE IT OR THE INFORMATION DISCLOSED HEREIN NOR ANY RIGHT TO REPRODUCE THIS DRAWING OR SPECIFICATION NOR ANY PART HEREOF WITHOUT THE WRITTEN CONSENT OF BRIG'S MACHINING CO.

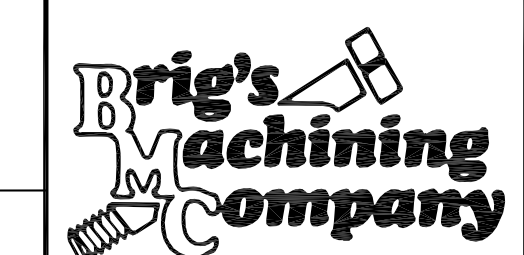
REVISIONS				
ZONE	REV	DESCRIPTION	DATE	APPROVED

D
C
B
A

D
C
B
A



DETAIL A

ITEM	QTY	DWG	PART	NOMENCLATURE	MATERIAL
REGD	SIZE	OR	IDENTIFYING	OR	SPECIFICATION
PARTS LIST					
UNLESS OTHERWISE SPECIFIED DIMENSIONS ARE IN INCHES TOLERANCES ARE: FRACTIONS DECIMALS ANGLES + .XX ± ± .XXX ±					
MATERIAL			 BRIGS MACHINING COMPANY. LAGUNA HILLS, CA		
FINISH			SYSTEM ASSY		
NEXT ASSY		USED ON		DRAWN BY CHECKED BY	SIZE FSCM NO. DWG NO. REV D 171D-010 1
APPLICATION			DO NOT SCALE DRAWING		
SCALE 1/3				SHEET 3 of 3	

8 7 6 5 4 3 2 1