

IMPORTANT
 THIS DRAWING OR SPECIFICATION CONSTITUTES THE CONFIDENTIAL INFORMATION OF BRIG'S MACHINING CO. AND ITS RECEIPT OR POSSESSION DOES NOT CONVEY ANY RIGHT IN OR LICENSE TO USE IT OR THE INFORMATION DISCLOSED HEREIN NOR ANY RIGHT TO REPRODUCE THIS DRAWING OR SPECIFICATION NOR ANY PART HEREOF WITHOUT THE WRITTEN CONSENT OF BRIG'S MACHINING CO.

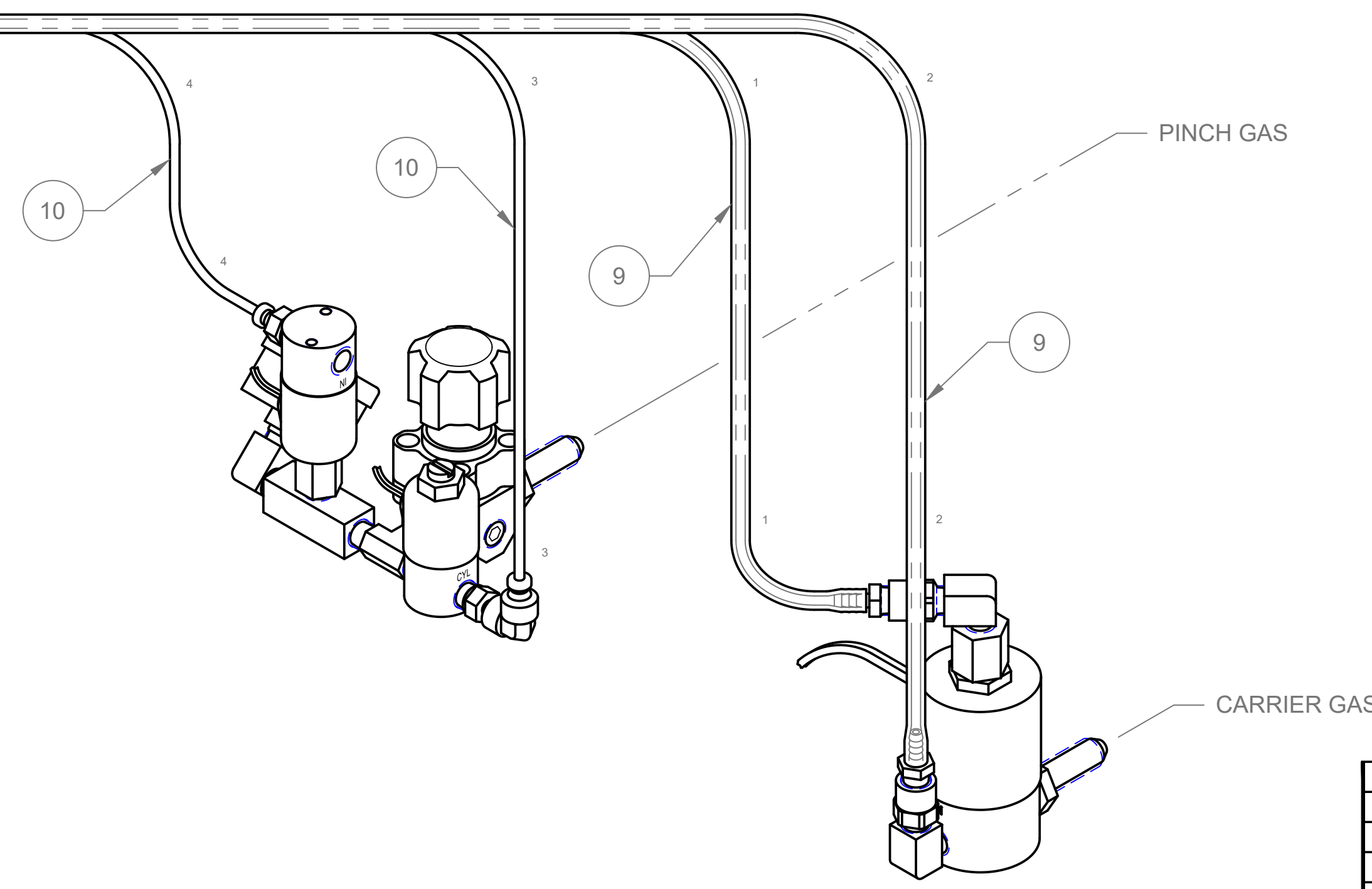
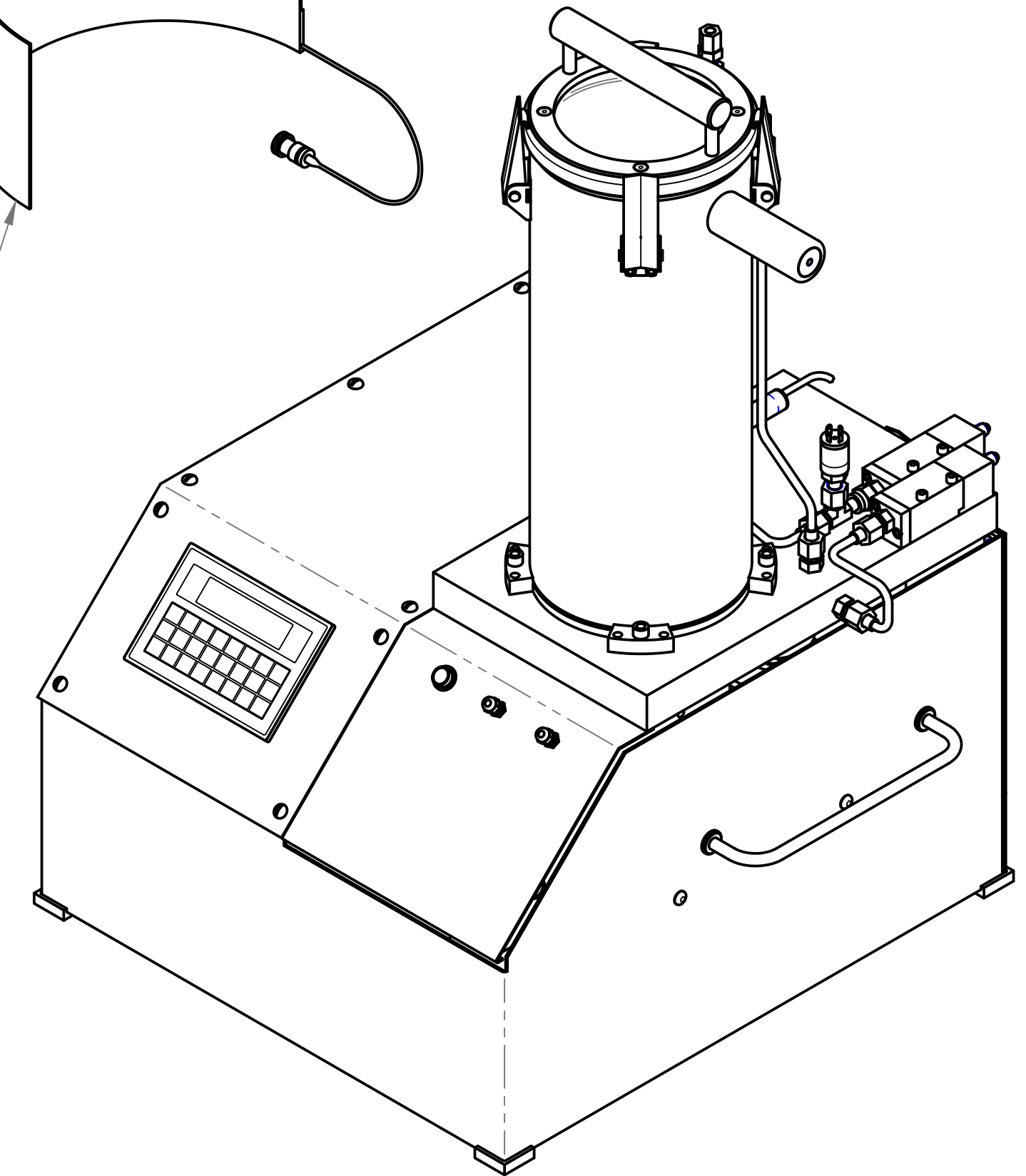
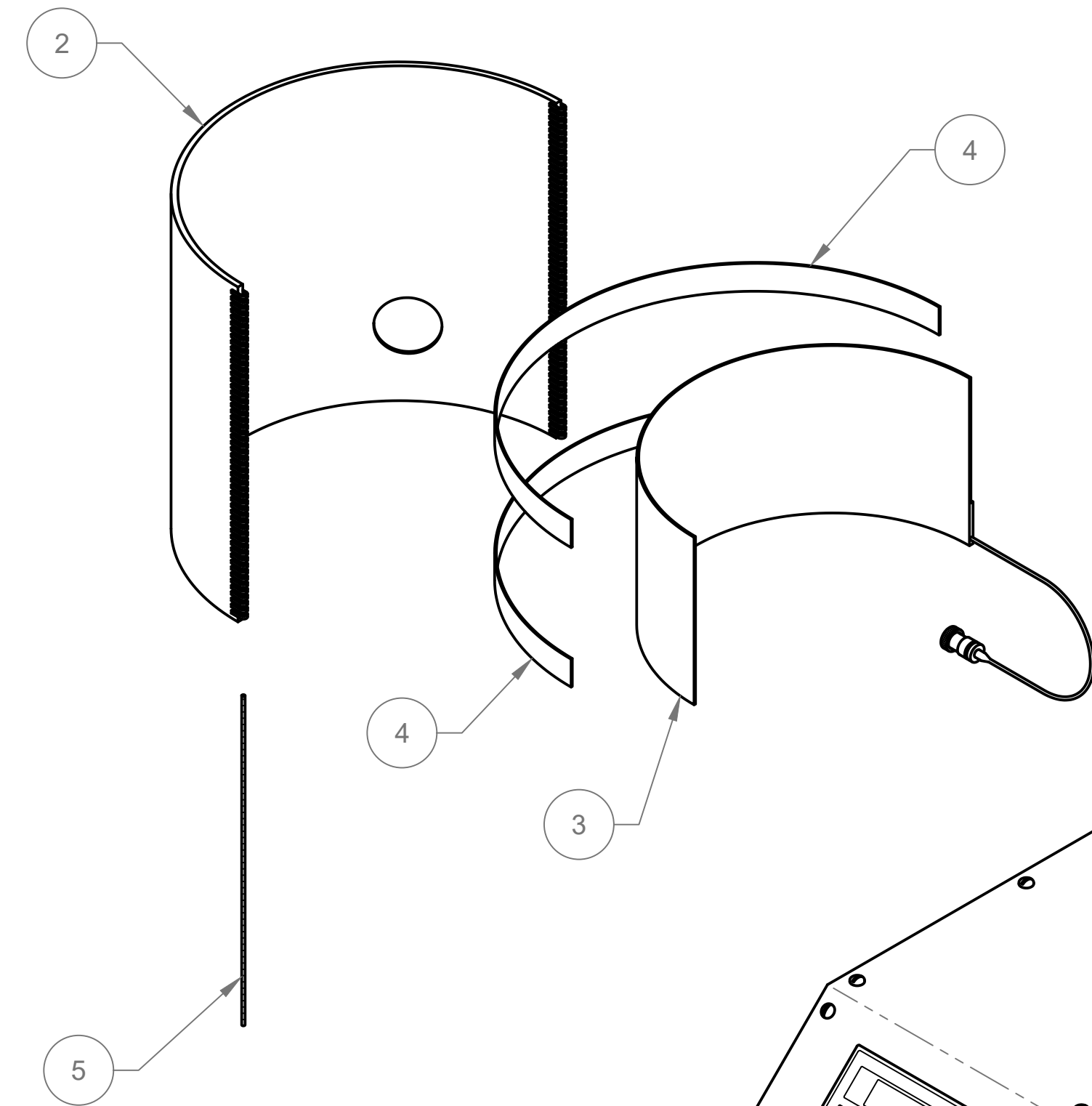
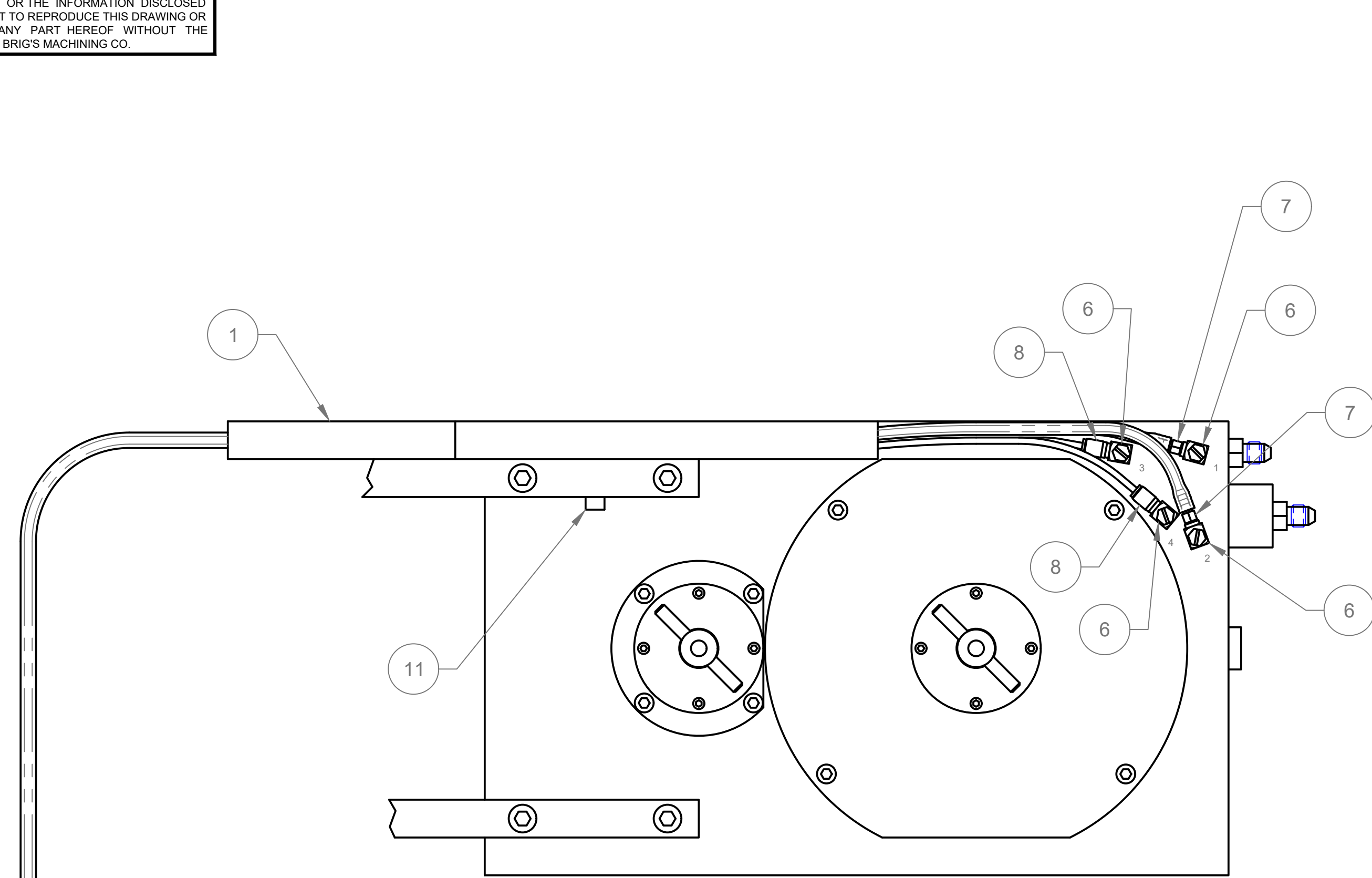
REVISIONS				
ZONE	REV	DESCRIPTION	DATE	APPROVED

D

C

B

A



ITEM	QTY REQD.	DWG SIZE	PART OR IDENTIFYING NO.	NOMENCLATURE OR DESCRIPTION	MATERIAL SPECIFICATION
11	1			1/4-20 SOCKET HEAD CAP SCREW x 7/8"	
10			BP2052	1/8" BLACK VINYL TUBING	
9			BP2051	1/4" OD 1/8" ID CLEAR VINYL TUBING	
8	2		BP2020	TUBE FITTING	
7	2		BP2019	BRASS BARB HOSE FITTING	
6	4		BP2018	90° BRASS SWIVEL FITTING	
5	1	B	BP60C-538	HEATER COVER PIN	
4	2	B	BP60C-537	VELCRO STRIP	
3	1	C	BP60C-536	HEATER BLANKET	
2	1	C	BP60C-535	HEATER COVER	
1	1	C	BP60C-534	TUBING PROTECTOR	

UNLESS OTHERWISE SPECIFIED DIMENSIONS ARE IN INCHES TOLERANCES ARE:			BRIGS MACHINING COMPANY. LAGUNA HILLS, CA	
FRACTIONS	DECIMALS		BP60C POWDER FEEDER TUBING SCHEMATIC	
* .XX ±	.XX ±	FINISH	DRAWN BY	SIZE FSCM NO.
* .XXX ±	.XXX ±	MATERIAL	CHECKED BY	DWG NO. BP60C-001
DRAWING	DRAWING	APPLICATION	DO NOT SCALE DRAWING	SCALE 1/2
NEXT ASSY	USED ON			SHEET 2 of 3
				REV 1

D

C

B

A