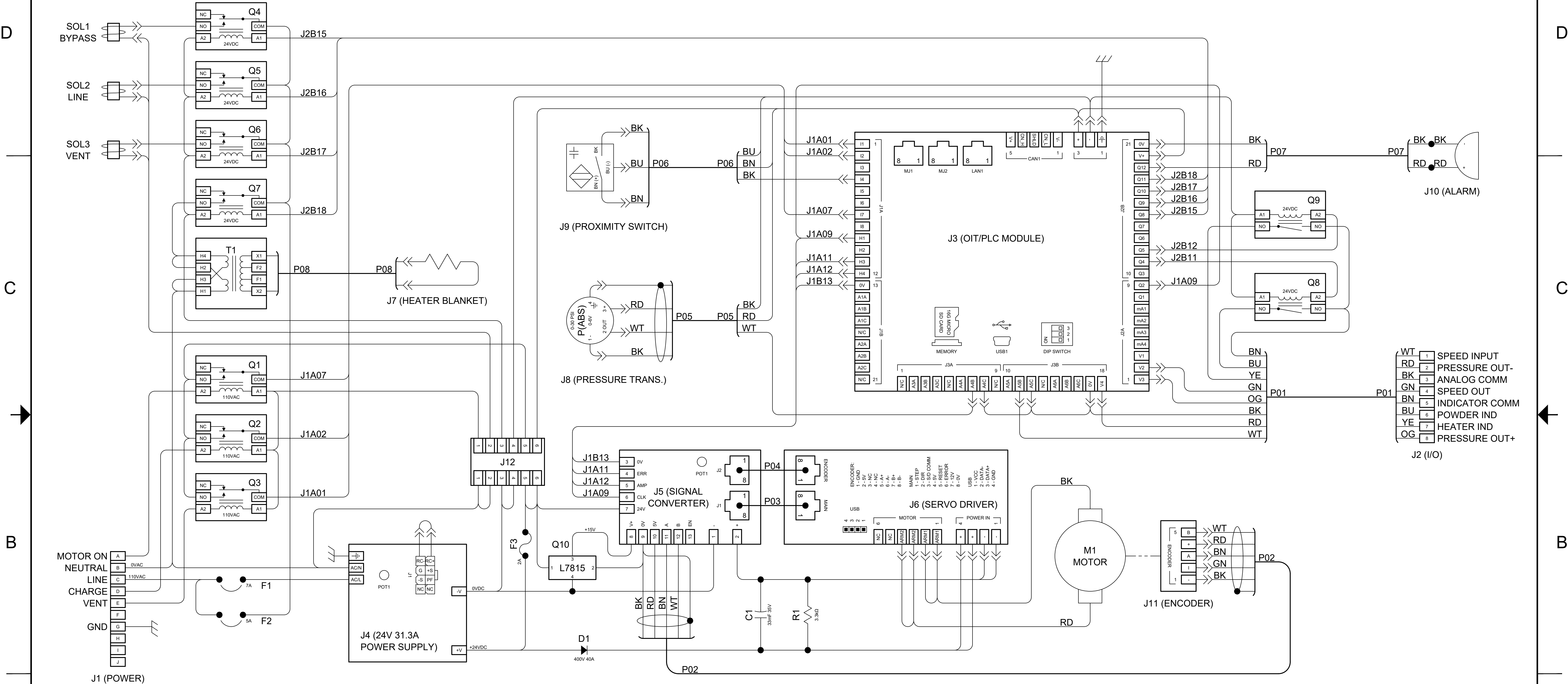


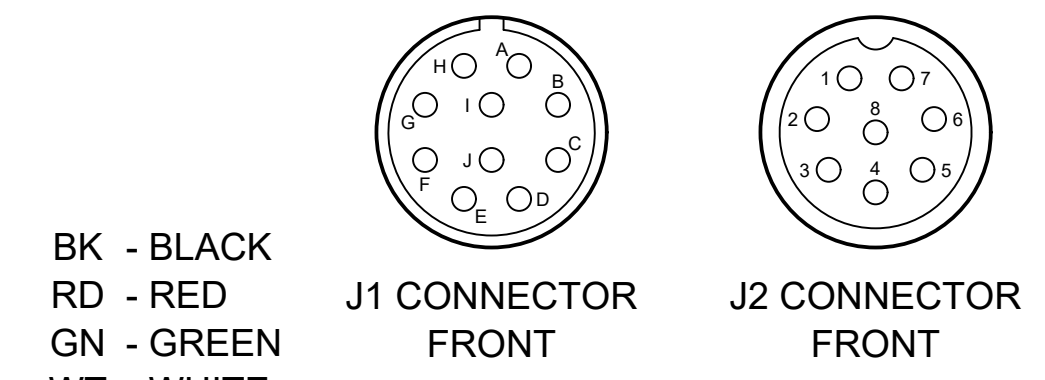
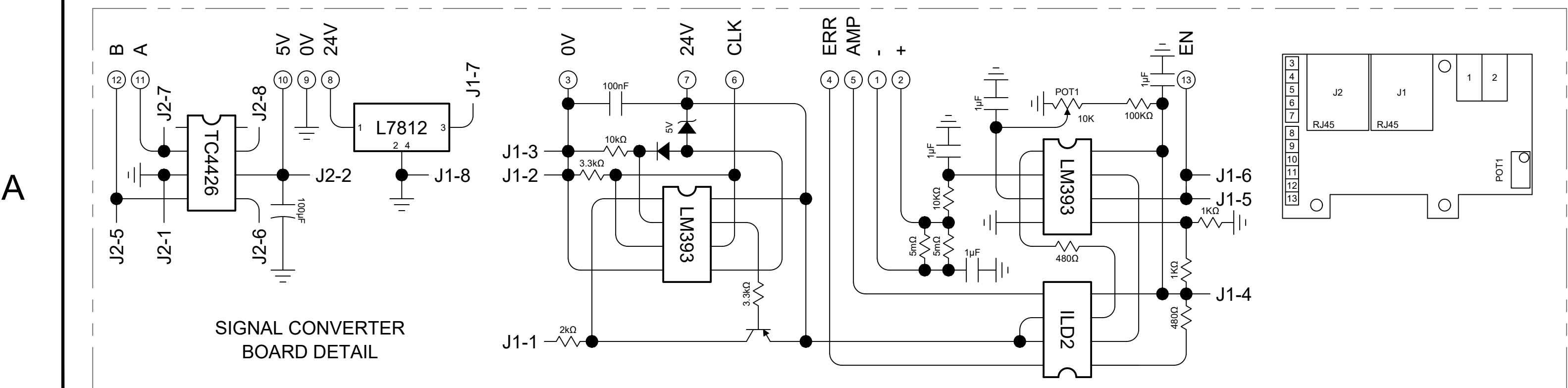
IMPORTANT
 THIS DRAWING OR SPECIFICATION CONSTITUTES THE CONFIDENTIAL INFORMATION OF BRIG'S MACHINING CO. AND ITS RECEIPT OR POSSESSION DOES NOT CONVEY ANY RIGHT IN OR LICENSE TO USE IT OR THE INFORMATION DISCLOSED HEREIN NOR ANY RIGHT TO REPRODUCE THIS DRAWING OR SPECIFICATION NOR ANY PART HEREOF WITHOUT THE WRITTEN CONSENT OF BRIG'S MACHINING CO.

REVISIONS				
ZONE	REV	DESCRIPTION	DATE	APPROVED



J2 (I/O)

WT	1	SPEED INPUT
RD	2	PRESSURE OUT-
BK	3	ANALOG COMM
GN	4	SPEED OUT
BN	5	INDICATOR COMM
BU	6	POWDER IND
YE	7	HEATER IND
OG	8	PRESSURE OUT+



- BK - BLACK
- RD - RED
- GN - GREEN
- WT - WHITE
- BN - BROWN
- YE - YELLOW
- BU - BLUE
- OG - ORANGE
- VT - VIOLET
- GY - GRAY
- PK - PINK
- TQ - TURQUOISE

ITEM		QTY	DWG	PARTY OR	NOMENCLATURE		MATERIAL	
NO.	REV.	REQD.	SIZE	IDENTIFYING NO.	OR DESCRIPTION	OR SPECIFICATION	OR SPECIFICATION	OR SPECIFICATION
UNLESS OTHERWISE SPECIFIED DIMENSIONS ARE IN INCHES TOLERANCES ARE:								
FRACTIONS		DECIMALS		ANGLES				
+		.XX ±		°				
-		.XXX ±						
MATERIAL		FINISH		DRAWN BY		SIZE		FSCM NO.
NEXT ASSY		USED ON		CHECKED BY		D		BP60C-001
APPLICATION		DO NOT SCALE DRAWING		SCALE		SHEET		3 of 3

BRIG'S MACHINING COMPANY. LAGUNA HILLS, CA
BP60C POWDER FEEDER
 ELECTRICAL DIAGRAM