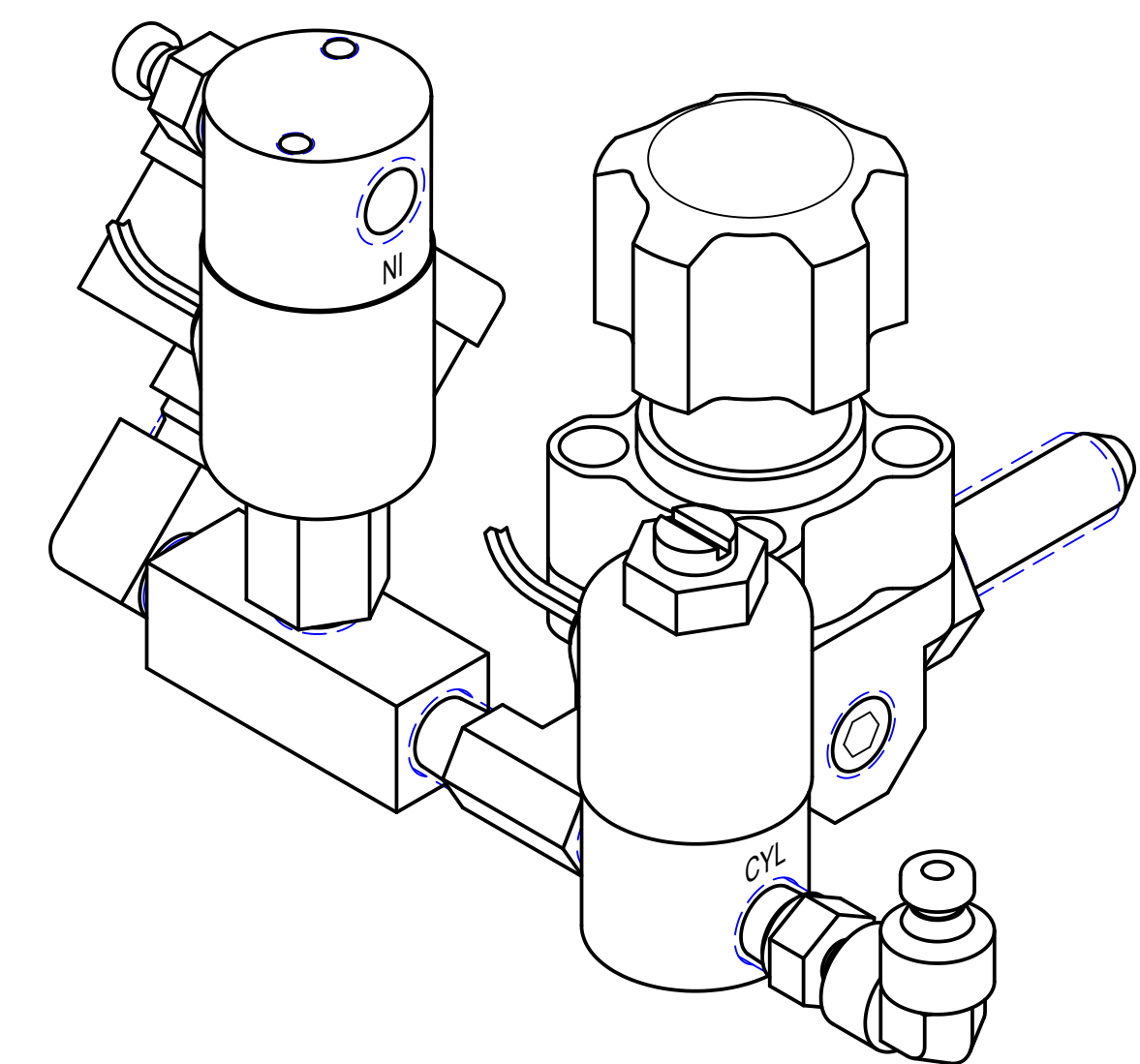
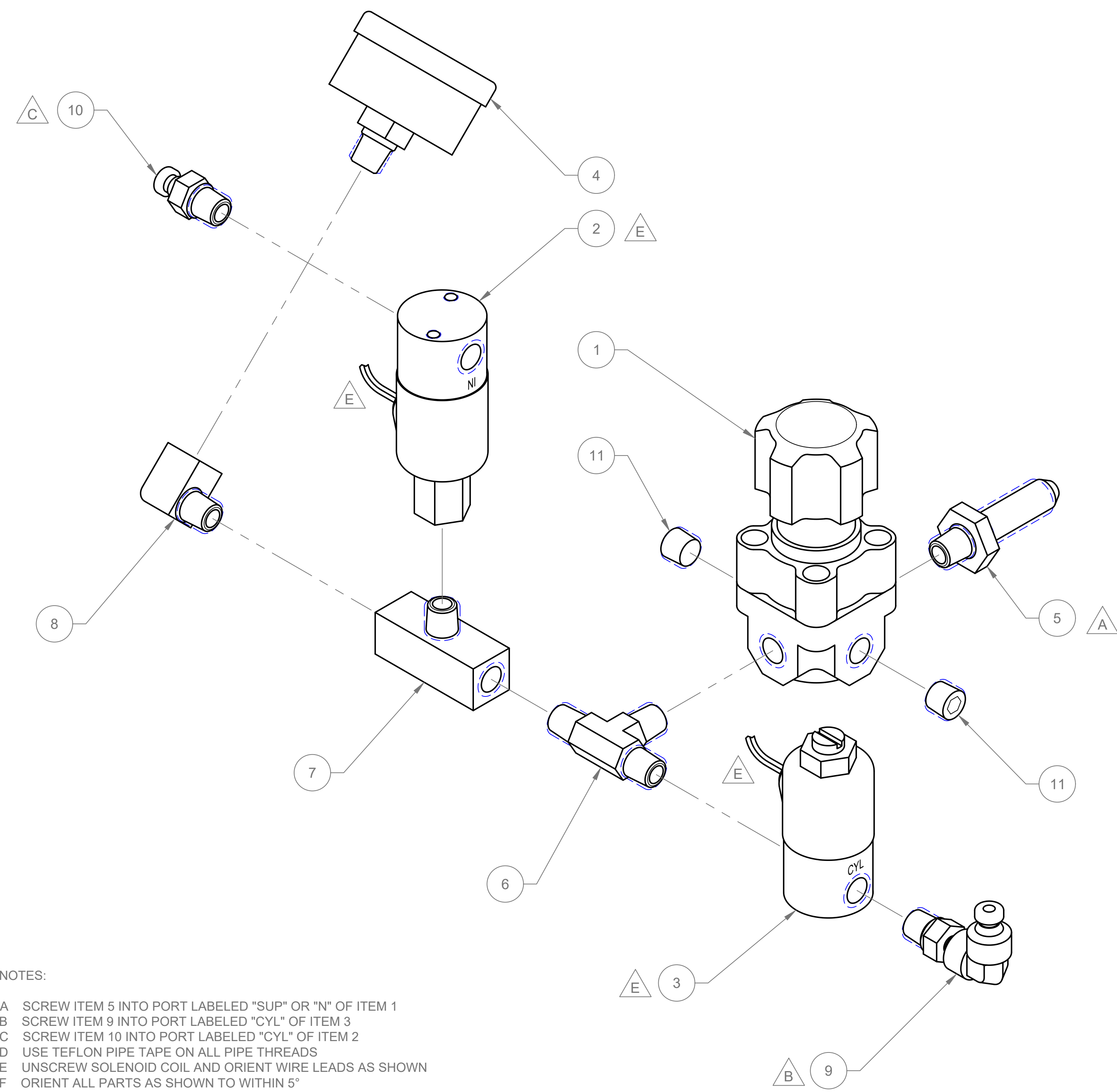


IMPORTANT
 THIS DRAWING OR SPECIFICATION CONSTITUTES THE CONFIDENTIAL INFORMATION OF BRIG'S MACHINING CO. AND ITS RECEIPT OR POSSESSION DOES NOT CONVEY ANY RIGHT IN OR LICENSE TO USE IT OR THE INFORMATION DISCLOSED HEREIN NOR ANY RIGHT TO REPRODUCE THIS DRAWING OR SPECIFICATION NOR ANY PART HEREOF WITHOUT THE WRITTEN CONSENT OF BRIG'S MACHINING CO.

ZONE		REV	DESCRIPTION	DATE	APPROVED

D
C
B
A

D
C
B
A



NOTES:

- A SCREW ITEM 5 INTO PORT LABELED "SUP" OR "N" OF ITEM 1
- B SCREW ITEM 9 INTO PORT LABELED "CYL" OF ITEM 3
- C SCREW ITEM 10 INTO PORT LABELED "CYL" OF ITEM 2
- D USE TEFLON PIPE TAPE ON ALL PIPE THREADS
- E UNSCREW SOLENOID COIL AND ORIENT WIRE LEADS AS SHOWN
- F ORIENT ALL PARTS AS SHOWN TO WITHIN 5°

ITEM	QTY REQD	DWG SIZE	PARTY OR IDENTIFYING NO.	NOMENCLATURE OR DESCRIPTION	MATERIAL SPECIFICATION
11	2			BP2045 PLUG	
10	1			BP2044 STRAIT TUBE FITTING	
9	1			BP2043 90° SWIVEL TUBE FITTING	
8	1			BP2034 90° FITTING	
7	1			BP2042 FEMALE MALE FEMALE T FITTING	
6	1			BP2041 MALE T FITTING	
5	1			BP2033 NPT TO AN PANEL FITTING	
4	1			BP2040 0-160 PSI 1/8 MALE NPT PRESSURE GAUGE	
3	1			BP2039 1/8 NPT 2 WAY SOLENOID VALVE	
2	1			BP2038 1/8 NPT 2 WAY SOLENOID VALVE	
1	1			BP2037 8-125 PSI 1/8 NPT REGULATOR	

UNLESS OTHERWISE SPECIFIED DIMENSIONS ARE IN INCHES TOLERANCES ARE:			BRIGS MACHINING COMPANY. LAGUNA HILLS, CA	
FRACTIONS	DECIMALS		PINCH VALVE ASSY	
+	.XX ±			
	.XXX ±			
MATERIAL				
FINISH				
NEXT ASSY	USED ON	DRAWN BY	SIZE	FSCM NO.
		CHECKED BY	D	
APPLICATION	DO NOT SCALE DRAWING		SCALE	1/1
			DWG NO.	BP60C-005
			REV	1
			SHEET	1 of 1

8 7 6 5 4 3 2 1