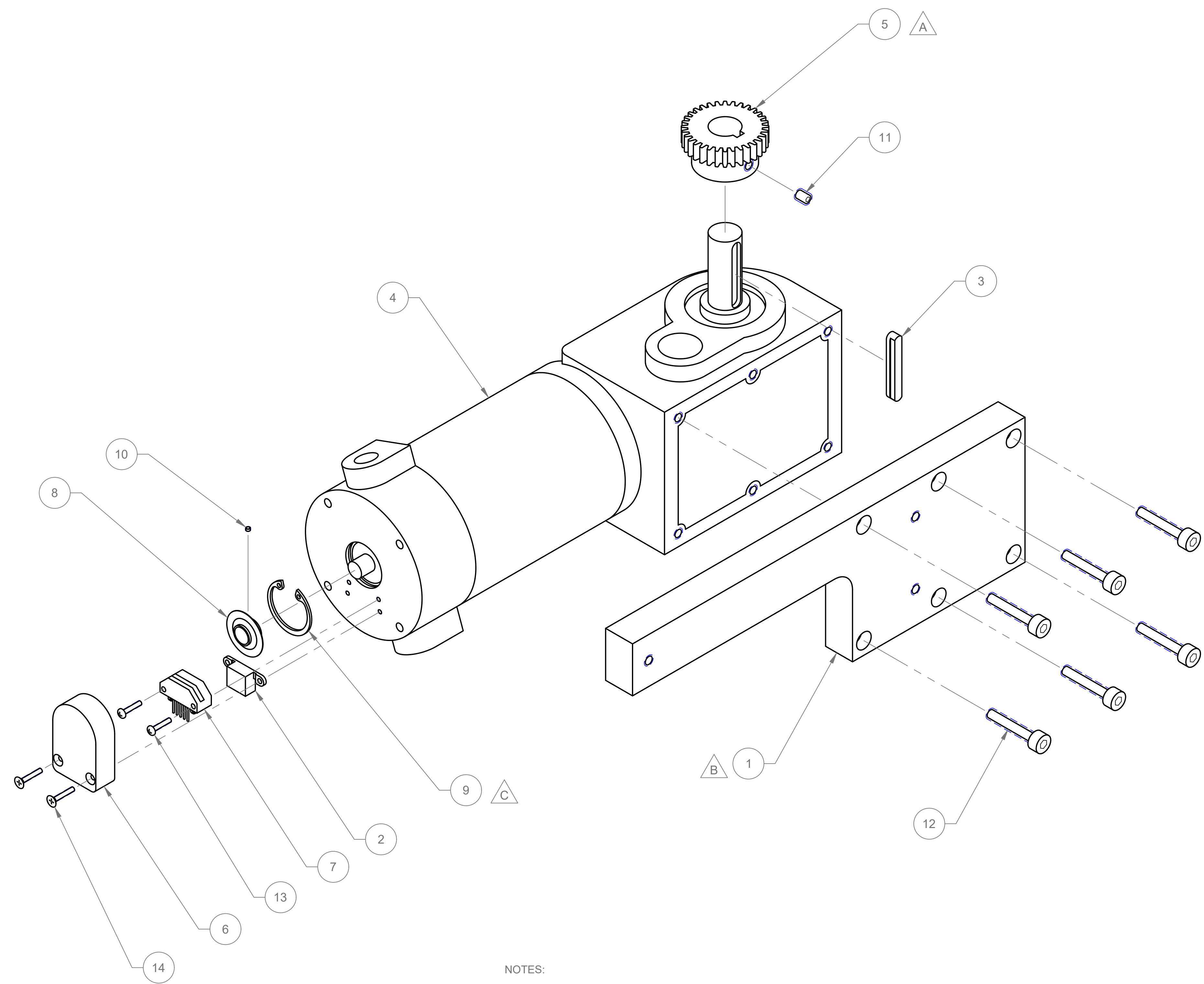


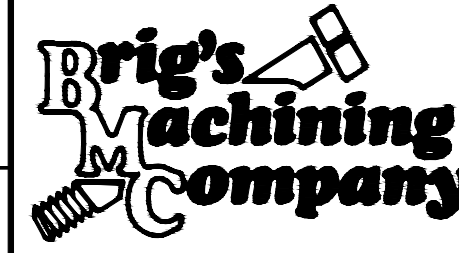
**IMPORTANT**  
 THIS DRAWING OR SPECIFICATION CONSTITUTES THE CONFIDENTIAL INFORMATION OF BRIG'S MACHINING CO. AND ITS RECEIPT OR POSSESSION DOES NOT CONVEY ANY RIGHT IN OR LICENSE TO USE IT OR THE INFORMATION DISCLOSED HEREIN NOR ANY RIGHT TO REPRODUCE THIS DRAWING OR SPECIFICATION NOR ANY PART HEREOF WITHOUT THE WRITTEN CONSENT OF BRIG'S MACHINING CO.

REVISIONS				
ZONE	REV	DESCRIPTION	DATE	APPROVED



- NOTES:
- A SLIP ITEM 5 ONTO ITEM 4 SO THAT IT TOUCHES THE SHOULDER OF THE GEAR SHAFT
  - B APPLY SILICON SEALANT AROUND ENTIRE EDGE OF ITEM 4 BEFORE ASSEMBLING ITEM 1
  - C REMOVE SPRING WASHER BEFORE INSERTING SNAP RING INTO ITEM 4

ITEM	QTY REQ'D	DWG SIZE	PART OR IDENTIFYING NO.	NOMENCLATURE OR DESCRIPTION	MATERIAL SPECIFICATION
14	2			6-32 SCREW x 5/8" (COMES WITH ITEM 7)	
13	2			6-32 SCREW x 1/2" (COMES WITH ITEM 7)	
12	6			M6-1 SOCKET HEAD CAP SCREW x 22mm (COMES WITH ITEM 4)	
11	1			10-32 SET SCREW x 1/4"	
10	1			6-32 SET SCREW (COMES WITH ITEM 8)	
9	1		BP2048	SNAP RING	
8	1		BP2047	ENCODER WHEEL	
7	1		BP2046	ENCODER	
6	1	A	BP60C-505	ENCODER CAP MOD	
5	1	A	BP60C-501	32T GEAR MOD	
4	1	B	BP60C-502	372/13 MOTOR GEARBOX	
3	1	A	BP60C-504	MOTOR KEY	
2	1	A	BP60C-503	ENCODER CABLE CLIP	
1	1	C	BP60C-500	MOTOR GEARBOX CAP	

UNLESS OTHERWISE SPECIFIED DIMENSIONS ARE IN INCHES TOLERANCES ARE:			BRIGS MACHINING COMPANY. LAGUNA HILLS, CA	
FRACTIONS	DECIMALS		MOTOR GEAR BOX ASSY	
+	.XX ±			
	.XXX ±			
MATERIAL		DRAWN BY	SIZE	FSCM NO.
			D	
NEXT ASSY	USED ON	CHECKED BY	DWG NO.	REV
APPLICATION	DO NOT SCALE DRAWING		BP60C-007	1
			SCALE	SHEET
			2/3	1 of 1