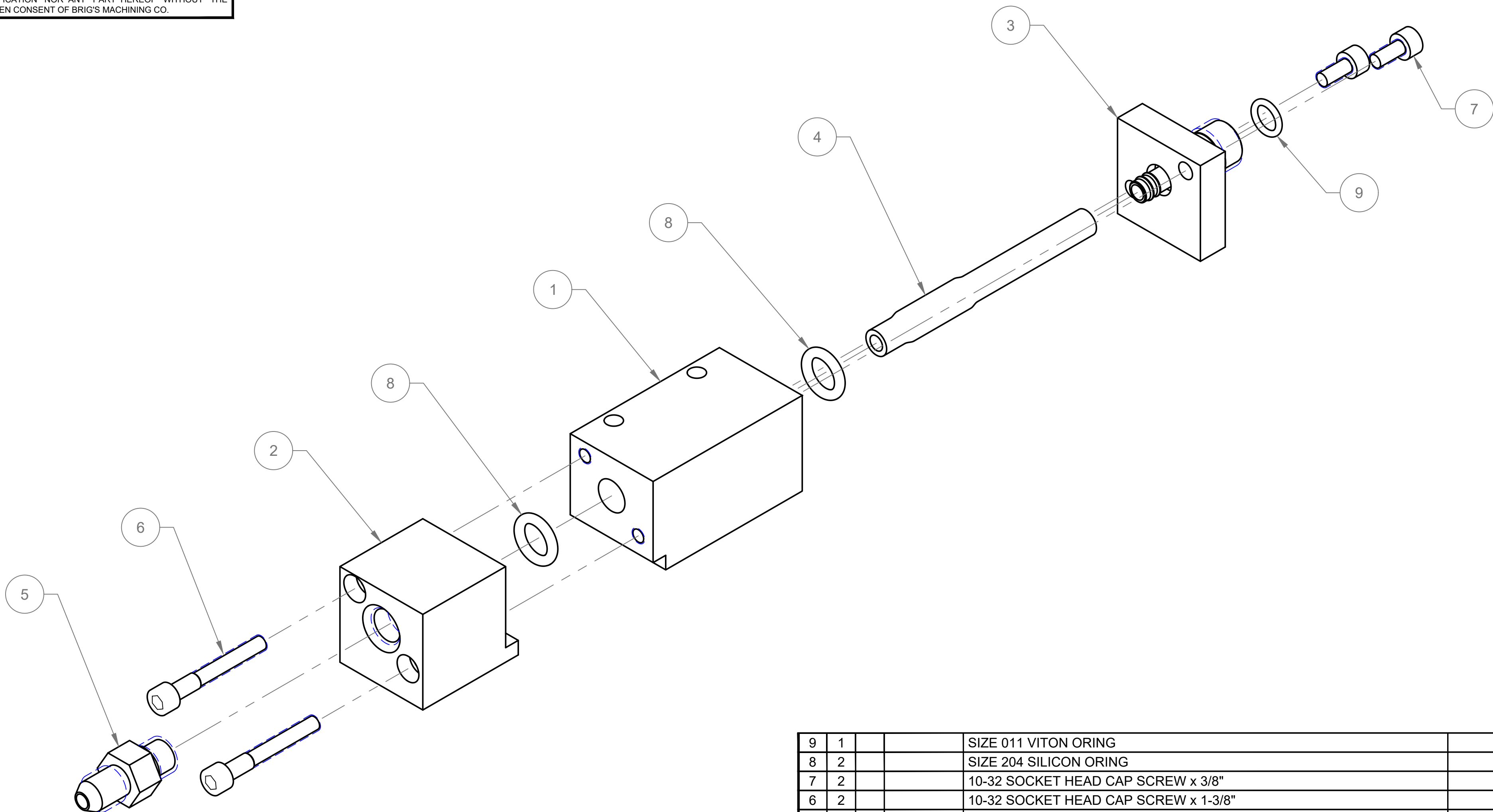


**IMPORTANT**  
 THIS DRAWING OR SPECIFICATION CONSTITUTES THE CONFIDENTIAL INFORMATION OF BRIG'S MACHINING CO. AND ITS RECEIPT OR POSSESSION DOES NOT CONVEY ANY RIGHT IN OR LICENSE TO USE IT OR THE INFORMATION DISCLOSED HEREIN NOR ANY RIGHT TO REPRODUCE THIS DRAWING OR SPECIFICATION NOR ANY PART HEREOF WITHOUT THE WRITTEN CONSENT OF BRIG'S MACHINING CO.

REVISIONS				
ZONE	REV	DESCRIPTION	DATE	APPROVED



ITEM	QTY REQD	DWG SIZE	PART OR IDENTIFYING NO.	NOMENCLATURE OR DESCRIPTION	MATERIAL SPECIFICATION
9	1			SIZE 011 VITON ORING	
8	2			SIZE 204 SILICON ORING	
7	2			10-32 SOCKET HEAD CAP SCREW x 3/8"	
6	2			10-32 SOCKET HEAD CAP SCREW x 1-3/8"	
5	1		BP1013	ORING TO AN FITTING	
4	1	B	BP60C-337	PINCH TUBE	
3	1	C	BP60C-048	VALVE END CAP	
2	1	C	BP60C-147	BYPASS VALVE	
1	1	D	BP60C-146	VALVE BODY	

PARTS LIST

UNLESS OTHERWISE SPECIFIED DIMENSIONS ARE IN INCHES TOLERANCES ARE:

FRACTIONS	DECIMALS	ANGLES
±	.XX ± .XXX ±	±



**BRIGS MACHINING COMPANY.** LAGUNA HILLS, CA

POWDER PINCH VALVE ASSY

NEXT ASSY	
USED ON	BP60C-003
APPLICATION	

DRAWN BY \_\_\_\_\_  
 CHECKED BY \_\_\_\_\_

SIZE **C** FSCM NO. \_\_\_\_\_ DWG NO. **BP60C-010** REV **1**

SCALE **1/1** SHEET **1 of 1**